

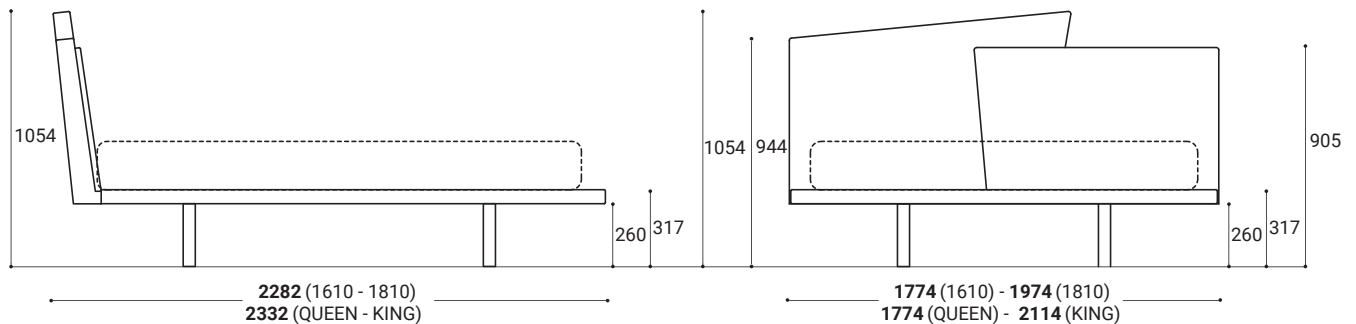
technical features of the | MEETING BED

Fabric configurations A and B



- Bed with a particleboard structure upholstered in fabric, leather or Tecnopelle. The cover is removable.
- In the leather version the bed-frame upholstery is stitched together along the centre of each side.
- It is supplied with an integrated self-bearing slatted base with beech slats. 6 of these slats have rigidity regulators and 4 feature different degrees of firmness for differentiated shoulder support.
- The headboard and the bed-frame feature a combination of two covers that can be chosen in different colours and from different categories.

TECHNICAL DRAWINGS



The bed is supplied with H 259 square feet with a matt lacquered finish optionally coloured to match fabric A or B.

NOTES: The interior measurements refer to the space available for the mattress.

The size of the integrated self-bearing slatted base is smaller than the size of the interior space so that when the mattress is in place the underlying slatted base cannot be seen.

For transport purposes, the integrated self-bearing slatted base is supplied unassembled, in two separate parts.

Mattress	1600x2000	1800x2000	QUEEN SIZE	KING SIZE
Self-bearing slatted base	1494x1949	1694x1949	1494x2001	1834x2001

OPTIONS

NOTES: The bed comes with covers A and B as shown in the drawing. The fabrics and Tecnopelle finishes can be mixed as indicated in the table. Different types of coverings can be combined for the dual coloured version. In this case, the price of the most expensive category shall be applied. IT IS NOT POSSIBLE TO SWITCH THE TWO PIECES OF THE HEADBOARD.

Can be supplied with a methacrylate base or sledge feet matt lacquered to match fabric A or fabric B.

They are also available with a metallic lacquered finish. Available on request with a methacrylate base and courtesy led lighting.

The dimensions of the bed-frame cannot be custom sized.

TECHNICAL FEATURES

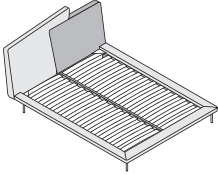
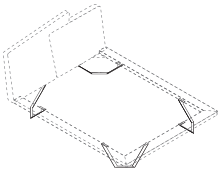
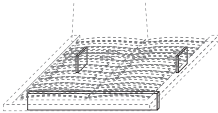
CUSTOM-SIZED SOLUTIONS:	BED-FRAME WITH REDUCED DEPTH	BED-FRAME WITH D. 2100
UPHOLSTERED BED-FRAME	NO	NO

NOTES: the metres of fabrics indicated are calculated for plain fabrics without decorative textures or patterns. For the lengths required and the feasibility of patterned fabrics please consult our Sales Department. The m2 indicated for leather have been calculated for leathers with a **minimum size of 4.8 m2 without defects**. Leather, Tecnopelle or fabric required for customer's covers:

BED-FRAME	FABRIC/TECNOPELLE W. 140 CM			LEATHER		
	SINGLE COLOURED	DUAL COLOURED		SINGLE COLOURED	DUAL COLOURED	
		A	B		A	B
W 1610	lm. 5,50	lm. 3,50	lm. 4,00	sq.m. 10,50	sq.m. 4,50	sq.m. 6,30
W 1810	lm. 6,20	lm. 4,00	lm. 4,50	sq.m. 11,60	sq.m. 5,00	sq.m. 7,00
W 1560 QUEEN	lm. 5,50	lm. 3,50	lm. 4,00	sq.m. 10,50	sq.m. 4,50	sq.m. 6,30
W 1950 KING	lm. 6,80	lm. 4,30	lm. 4,90	sq.m. 12,80	sq.m. 5,40	sq.m. 7,60

BED | MEETING

MODEL CODE 98 AE

		DIMENSIONS	CODE	Customer's fabric or leather	Tecnopelle 1 fabric 1	Tecnopelle 2 fabric 2	Tecnopelle 3 fabric 3	Tecnopelle 4 fabric 4	UNICO animal-free nubuck	leather P2	leather P3
SINGLE COLOURED											
	W 1610										
	interior	1610x2010	NE04	1.563	1.661	1.744	1.809	1.896	1.999	2.991	3.208
	exterior	1774x2282									
	W 1810										
	interior	1810x2010	NE05	1.623	1.805	1.842	1.908	2.003	2.113	3.110	3.378
	exterior	1974x2282									
	W 1560 QUEEN										
	interior	1560x2060	NE07	1.688	1.829	1.915	1.987	2.084	2.231	3.287	3.508
exterior	1774x2332										
W 1950 KING											
interior	1950x2060	NE08	1.808	1.925	1.999	2.079	2.182	2.304	3.444	3.687	
exterior	2114x2332										
DUAL COLOURED											
Different types of coverings can be combined for the dual coloured version. In this case, the price of the most expensive category shall be applied.											
	W 1610										
	interior	1610x2010	NE14	1.780	1.901	2.004	2.095	2.219	2.376	3.218	3.463
	exterior	1774x2282									
	W 1810										
	interior	1810x2010	NE15	1.854	2.011	2.119	2.216	2.355	2.524	3.366	3.621
	exterior	1974x2282									
	W 1560 QUEEN										
	interior	1560x2060	NE17	1.929	2.092	2.206	2.289	2.428	2.612	3.545	3.812
exterior	1774x2332										
W 1950 KING											
interior	1950x2060	NE18	2.054	2.200	2.298	2.405	2.530	2.711	3.706	3.983	
exterior	2114x2332										
				CODE				matt lacquers		metallic lacquers	
SURCHARGE FOR SLEIGH FEET								292		348	
											
SURCHARGE FOR METHACRYLATE SUPPORT KIT										411	
											
3000° K NEUTRAL LED LIGHT KIT WITH SWITCH (FOR METHACRYLATE SUPPORT ONLY) 220/230V Italian plug, Schuko plug or UK plug, 110 V USA plug											
	W 1610										
	W 1560 QUEEN		AS74					242			
	W 1810										
	W 1950 KING		AS75					275			

MEETING